

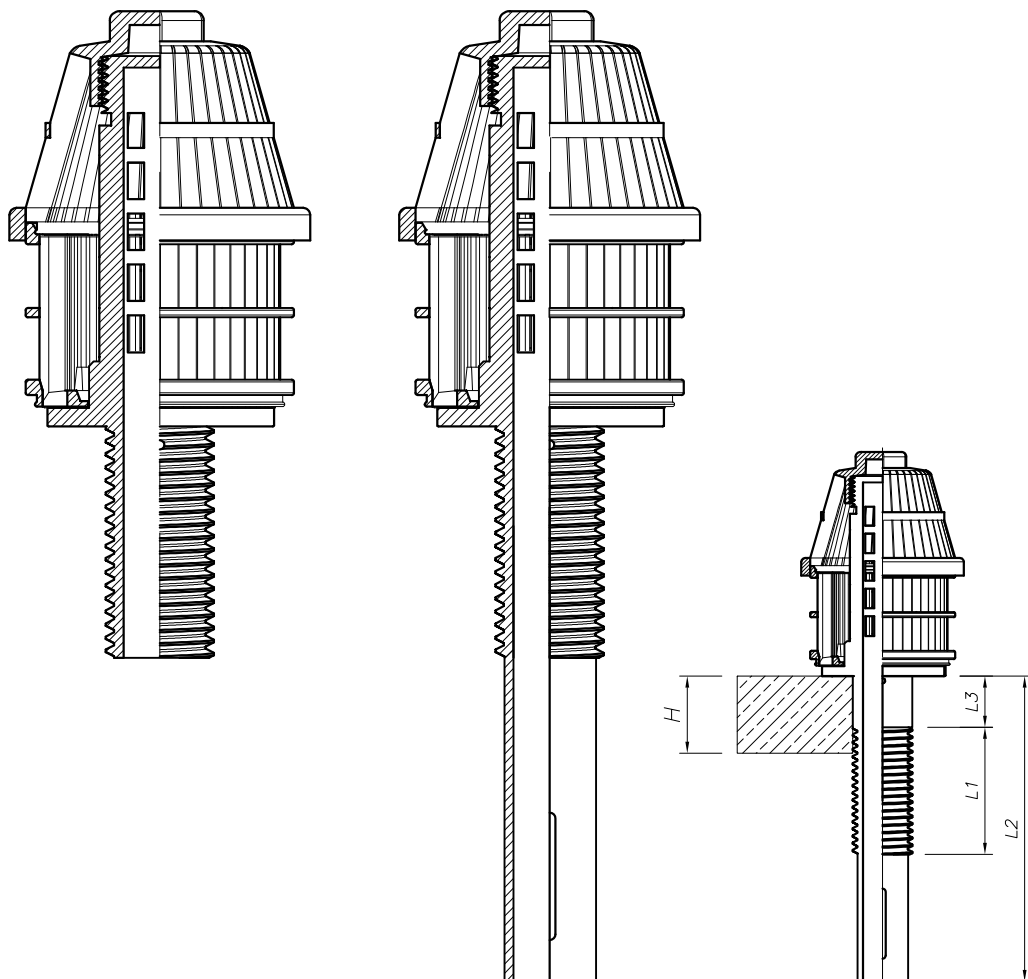
TD

UGELLI A FESSURE VERTICALI FILTER NOZZLES WITH VERTICAL SLOTS



- Utilizzato per garantire maggiore superficie filtrante sulla testa dell'ugello
- Robusto ed economico
- Ampia gamma di codoli
- Di facile pulizia mediante controlavaggio

- Used to provide greater filtering surface on the nozzle head
- Strong and inexpensive
- Wide range of stems
- Easily cleaned by backwash



Tipo Type	Fessura Slot width mm	N. Fessure Slots No.	Sezione Area mm ²
TD	0,25	40 + 40	580
	0,50	40 + 36	1106

Filetto Thread	ØF mm	ØI mm	Area codolo Stem area mm ²	L1 mm	L2 mm	L3 mm
1/2"G	20,9	14	154	15, 20, 30, 50	20, 30, 50, 80, 100, 120, 140, +5 300	max = (300-L1)
3/4"G	26,3	16	200	18, 20, 30, 50	20, 30, 50, 80, 100, 120, 140, +5 400	max = (400-L1)
1"G	33,2	21	346	35	20, 30, 50, 80, 100, 120, 140, +5 400	max = (400-L1)
M20x2,5	20	14	154	20, 50	20, 30, 50, 80, 100, 120, 140, +5 300	max = (300-L1)
M24x3	24	16	200	30, 50	20, 30, 50, 80, 100, 120, 140, +5 400	max = (400-L1)
M27x3	27	16	200	20	20, 30, 50, 80, 100, 120, 140, +5 400	max = (400-L1)
M30x3,5	30	21	346	30, 50	20, 30, 50, 80, 100, 120, 140, +5 400	max = (400-L1)
7/8"W	22,2	14	154	30	20, 30, 50, 80, 100, 120, 140, +5 300	max = (300-L1)
15/16"W	23,5	16	200	20, 30, 40, 50, 70	20, 30, 50, 80, 100, 120, 140, +5 400	max = (400-L1)
1"W	25,4	16	200	20, 25, 30, 50	20, 30, 50, 80, 100, 120, 140, +5 400	max = (400-L1)
1 1/4"W	31,75	21	346	25, 30, 50	20, 30, 50, 80, 100, 120, 140, +5 400	max = (400-L1)

Materiale / Material	PP - PPFV - PVDF
----------------------	------------------